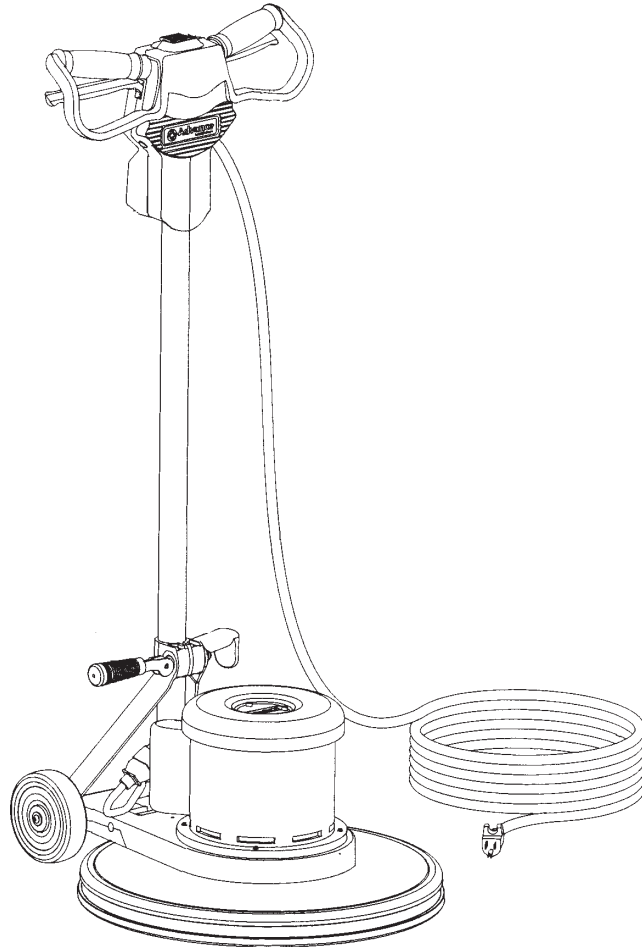


**Pacesetter™ 13, 17, 20**

**Pacesetter™ 17HD, 20HD**

**Pacesetter™ 20TS, 20SD**



## PARTS LIST

**Advance Models: 01282A (13); 01290A (17); 01370A (20);  
01330A (17HD); 01410A (20HD);  
01440A (20TS); 01460A (20SD)**

This parts list is for machines after serial number EA



**Advance**  
by Nilfisk-Advance

7/05 revised 8/06 FORM NO. 71051A

DESCRIPTION	PAGE
Optional Accessories .....	3
Assembly Drawing .....	4
Assembly Parts List .....	5
Wiring Diagram .....	5

**WHEN ORDERING PARTS**

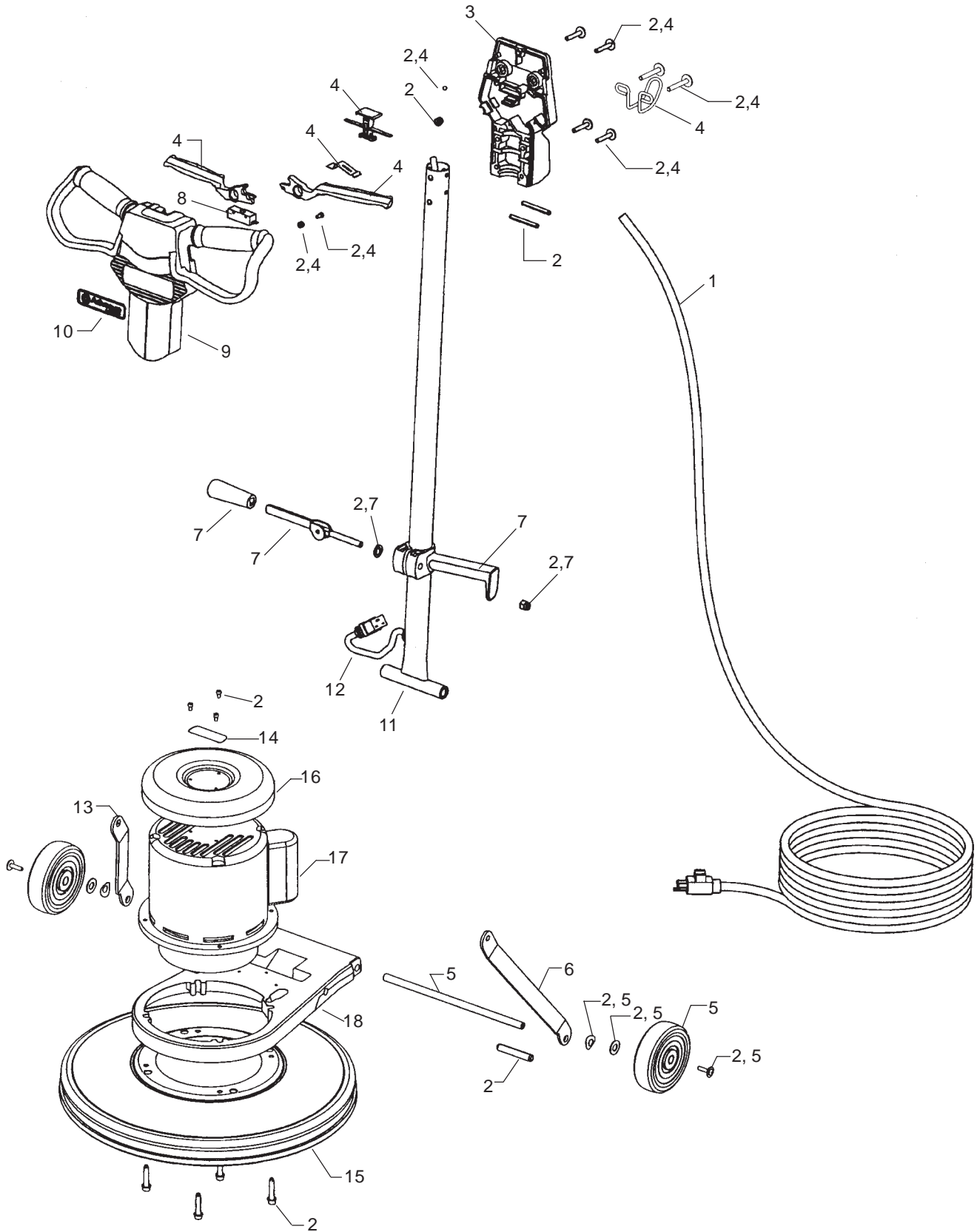
- \* Use the 6 or 8 digit numbers from the "Part No." columns in this parts list.
- \* Specify the model and serial number of the machine.
- \* Use the space below to record the model and serial number for future reference.

Model \_\_\_\_\_ Serial No. \_\_\_\_\_

## OPTIONAL ACCESSORIES

Part No.	Description
56172305	Splash Guard Assembly (17 Models)
56172313	Splash Guard Assembly (20 Models)
53853A	Solution Tank Kit (All Models)
11022A	Weight Kit (HD Models only)
56020194	Bassine Brush 13
56020196	Union Mix Brush 13
56020200	Steel Brush 13
56020223	Polypropylene Brush 13
56020309	Nylon Medium Grit Brush 13
56505910	Short-Trim Pad Holder 17 (w/pad centering device)
56505270	Level-Set Pad Holder 17
56505915	ProLite™ Brush 17
56505914	Prolene Brush 17
56505911	MagnaGrit™ 46 Brush 17
56505912	DynaGrit™ 80 Brush 17
56505918	MidLite Grit™ 180 Brush 17
56505917	MidGrit™ 240 Brush 17
56505913	AgLite™ 500 Brush 17
56505916	Union Mix Brush 17
56505539	Soft-Touch™ Shampoo Brush 17
56505920	Short-Trim Pad Holder 20 (w/pad centering device)
56505280	Level-Set Pad Holder 20
56505925	ProLite™ Brush 20
56505924	Prolene Brush 20
56505921	MagnaGrit™ 46 Brush 20
56505922	DynaGrit™ 80 Brush 20
56505928	MidLite Grit™ 180 Brush 20
56505927	MidGrit™ 240 Brush 20
56505923	AgLite™ 500 Brush 20
56505926	Union Mix Brush 20
56505540	Soft-Touch™ Shampoo Brush 20
56506006	NP-92 Clutch Plate-Nylon Replacement
56506007	NP-92 Clutch Plate-Zinc Replacement
56161750	Brown Stripping Pad, 17" (case of 5)
56161716	Blue Scrubbing Pad, 17" (case of 5)
56161738	Blue Scrubbing Pad, 20" (case of 5)
56161737	Red Buffer Pad, 20" (case of 5)
56505019	Pad Centering Unit (includes 56393567) (for use w/56505910 and 56505920)
56393567	*Big Mouth* Pad Retainer (for use w/56505910 and 56505920)

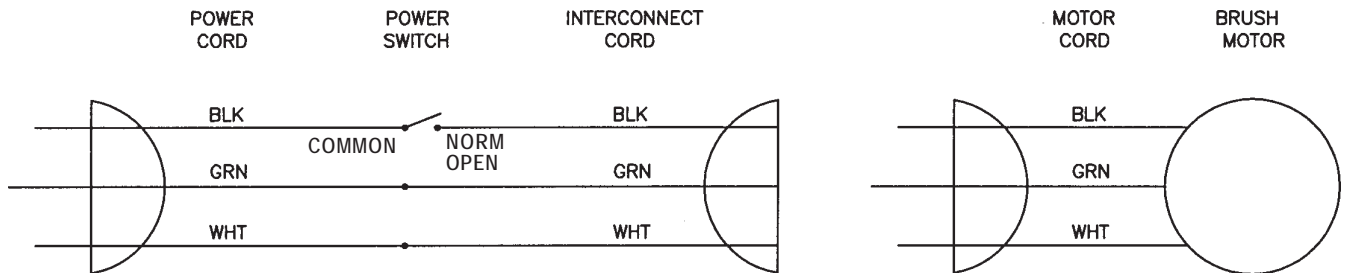
NOTE: Pad Holders and Brushes come complete with Industry Standard NP-92 Clutch Plate.



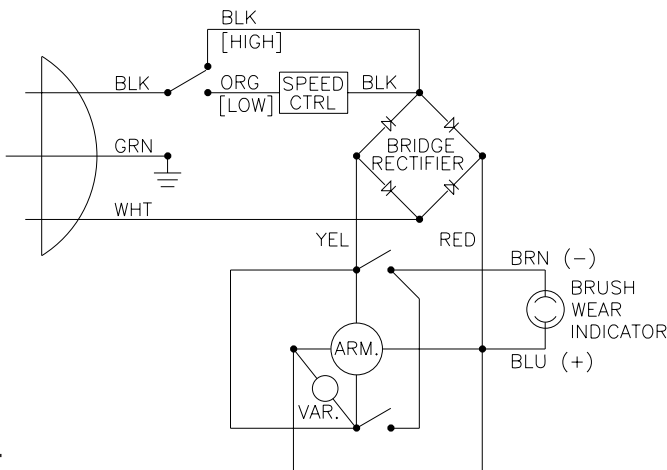
Ref. #	Part No.	Description	Qty.
1	40760A	Cord Power	1
2	11014A	Hardware Kit	1
3	30644A	Handle, Back	1
4	11016A	Trigger Kit	1
5	11018A	Wheel Kit	2
6	61740A	Link Arm, Left	1
7	11019A	Handle Clamp Kit	1
8	56201034	Switch, SPST	1
9	30643A	Handle, Front	1
10	70975A	Label, Handle Advance	1
11	61373A	Handle Tube	1
12	40774A	Cord, Interconnect	1
13	61741A	Link Arm, Right	1
14	71169A	Label, Pacesetter 13	1
	70978A	Label, Pacesetter 17	1
	70979A	Label, Pacesetter 17HD	1
	70980A	Label, Pacesetter 20	1
	70981A	Label, Pacesetter 20HD	1
	70982A	Label, Pacesetter 20TS	1
	70983A	Label, Pacesetter 20SD	1
15A	61844A	Housing (13)	1
	50972A	Bumper (13)	1
15B	11006A	Housing Assembly (17)	1
	61715A	Housing (17)	1
	30381A	Bumper (17)	1
15C	11007A	Housing Assembly (20)	1
	61714A	Housing (20)	1
	50784A	Bumper (20)	1
16	61716A	Cover, Drip (13, 17, 20, 17HD, 20HD, 20SD)	1
	61717A	Cover, Drip (20TS)	1

Ref. #	Part No.	Description	Qty.
17A	40761A	Motor, (13, 17, 20)	1
	40694A	Start Capacitor (supplied with motor)	1
	40695A	Run Capacitor (supplied with motor)	1
	53190A	Start Switch (supplied with motor)	1
	53645A	Gearbox, (13, 17, 20)	1
	69195A	Coupling (supplied with gearbox)	1
17B	40763A	Motor, (17HD, 20HD)	1
	40694A	Start Capacitor (supplied with motor)	1
	53191A	Run Capacitor (supplied with motor)	1
	53190A	Start Switch (supplied with motor)	1
	53646A	Gearbox, (17HD, 20HD)	1
	69195A	Coupling (supplied with gearbox)	1
17C	40764A	Motor, (20TS)	1
	51405A	Brush (supplied with motor)	4
	912287	Rectifier (supplied with motor)	1
	46735A	Speed Control (supplied with motor)	1
	40851A	Toggle Switch (supplied with motor)	1
	53647A	Gearbox, (20TS)	1
	69195A	Coupling (supplied with gearbox)	1
17D	40766A	Motor, (20SD)	1
	40694A	Start Capacitor (supplied with motor)	1
	53191A	Run Capacitor (supplied with motor)	1
	53190A	Start Switch (supplied with motor)	1
	53654A	Gearbox, (20SD)	1
	53850A	Coupling (supplied with gearbox)	1
18	21088A	Mainframe	1
NI	30758A	Pad Driver (13)	1
NI	30638A	Pad Driver (17)	1
NI	30639A	Pad Driver (20)	1

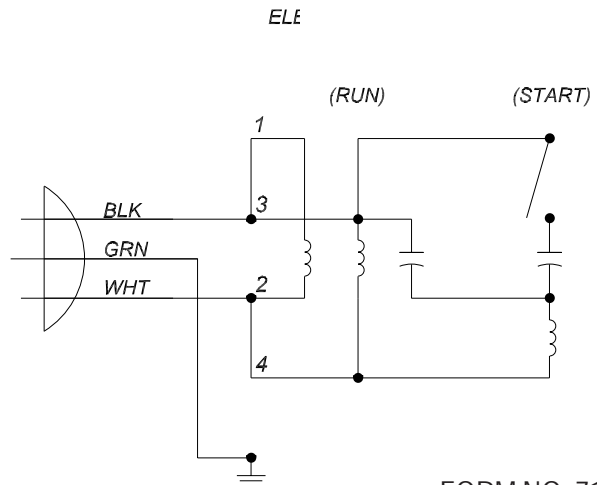
**Floor Machine Schematic**



**TS Motor Schematic**



**All Models (except TS) Motor Schematic**





*setting standards*

**Nilfisk-Advance, Inc.**  
14600 21st Avenue North  
Plymouth, MN 55447-3408  
[www.nilfisk-advance.com](http://www.nilfisk-advance.com)  
Phone: 800-989-2235  
Fax: 800-989-6566  
©2005 Nilfisk-Advance, Inc.